



Rails Technical specifications

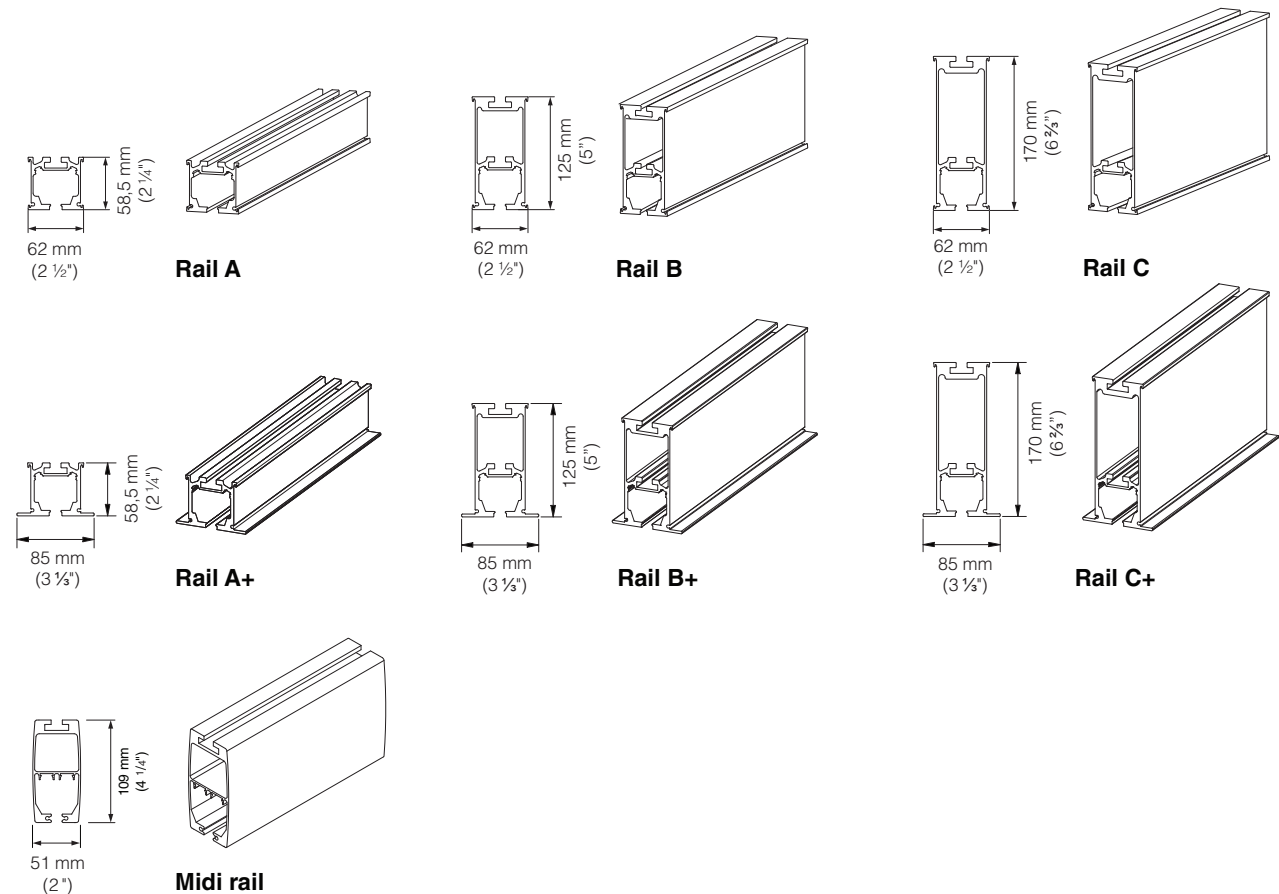
Materials

Materiale : Aluminium 6063 T6
 Surface treatment : Anodized Nature

Chemical composition (%) EN 573-3									
Si	Fe	Cu	Mn	Mg	Cr	Zn	Ti	Other elements	
								Each	Together
0.20-0.60	0.35	0.10	0.10	0.45-0.90	0.10	0.10	0.10	0.05	0.15

Weight

Rail weight per meters						
Rail A	Rail B	Rail C	Rail A+	Rail B+	Rail C+	Rail Midi
2.9 kg	5.2 kg	6.0 kg	3.1 kg	5.3 kg	6.2 kg	3.55 kg



Time to care



Rails Technical specifications

Maximum distance between brackets and projection according to SWL and ISO EN 10535:2021 regarding deflection 1:200

		Max																																								
		175				205				255				275				300				350				375				400				500								
		385				450				560				605				660				770				825				880				1100								
Rail		A	B	C	MidJ	A	B	C	MidJ	A	B	C	MidJ	A	B	C	MidJ	A	B	C	MidJ	A	B	C	MidJ	A	B	C	MidJ	A	B	C	MidJ	A	B	C	MidJ					
Meter	Inches																																									
Max projection	0.23	9	x			x				x				x				x				x				x				x				x				x				
	0.50	19			x				x				x				x				x				x				x				x				x					
	0.70	27	x				x				x				x				x				x				x				x				x				x			
	1.20	47		x				x				x				x				x				x				x				x				x				x		
Max distance between supporting points	1.00	39																																								
	1.25	49																																								
	1.50	59																																								
	1.75	69																																								
	2.00	78	x				x																																			
	2.50	98																																							x	
	2.75	108																																							x	
	3.00	118																																							x	
	3.25	127																																							x	
	3.50	137																																							x	
	3.75	147																																							x	
	4.00	157																																							x	
	4.25	167																																								x
	4.50	176																																								x
	4.75	186																																								x
	5.25	205																																								x
	5.50	215																																								x
	6.00	235																																								x
	6.25	245																																								x
	6.75	265																																								x
7.00	275																																								x	
7.25	284																																								x	
8.00	314																																								x	