



Guldmann Inc.
 Tel. 800 664 8834
 Tel. 813 880 0619
 info@guldmann.net
 www.guldmann.net

GLS5.2 Active lifter Technical specifications

Functions

Lifting capacity, max : 155/205 kg

Operation

Lift : Electric
 Width adjustment : Electric
 Knee support : Manual
 Lifting boom : Manual

Weight

Totally : 54 kg
 Chassis without foot plate & knee pad : 23 kg
 Mast and lifting boom incl. control box & battery : 20 kg
 Hand control : 0.25 kg

Measurements

A : 25 mm
 B : 90 mm
 C : 1770 mm
 D : 1237 mm
 E : 575 mm
 F : 1210 mm
 G : 460 mm
 H min/max : 850/1740 mm
 I min/max : 350/450 mm
 J min/max : 560/1190 mm
 K min/max : 670/1310 mm
 L min/max : 230/320 mm

Turning radius

Turning radius : 1360 mm

Safety Features

Emergency stop : Yes
 Emergency lowering : Yes, electronic. Mechanical on request
 Protection against trapping : Yes

Electrical parts

On/off : Automatically
 Integrated Power supply for charging
 Input : 120-240Vac, 50-60 Hz, 30 VA
 Battery, replaceable : 25.2 V / 2.9 Ah
 Charging time : Max. 4 hours
 Consumption/power of actuator : 24V, max 8A
 Duty Cycle : Max 10%, max. 2 min on, 18 min off.
 Battery protection : Switches off automatically at low voltage. Diode light up to indicate critical voltage.

Class of tightness

Mobile hoist : IP 30
 Hand control : IPX 4
 Integrated Power supply : IPX 6
 Battery : IPX 6
 Actuator : IPX 4

Accessories/ Miscellaneous

: External charger

Labelling

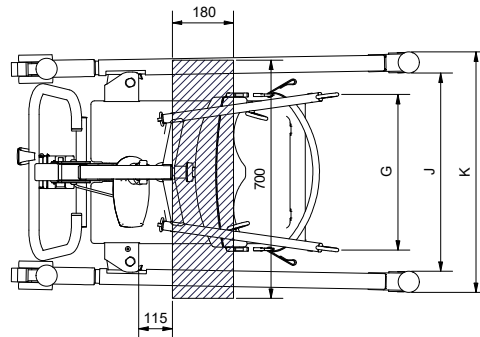
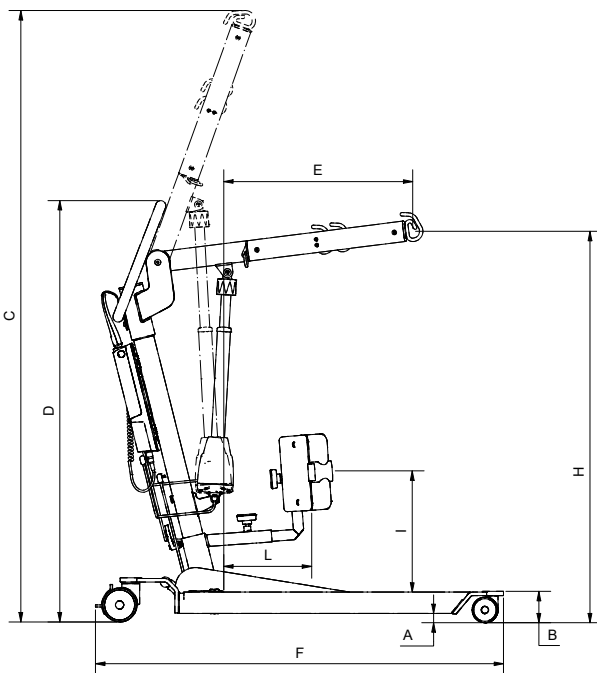
The product is manufactured in compliance with regulation (EU) 2017/745 of the European parliament and of the Council of 5 April 2017, as medical device Class I.

Classified

Acc. to ISO 9999 : 12 36 03

Item Number/Model

562200 : 155 kg
 562201 : 205 kg



Time to care