



Guldmann Inc.
Tel. 800 664 8834
Tel. 813 880 0619
Fax 813 880 9558
info@guldmann.net
www.guldmann.net

GTP1 Transfer platform Technical specifications

Functions

Safe working load (SWL) : 175 kg (385 lbs)
Entry height : 30 mm (1 1/4")
Handlebar : High friction, multi grip
Baseplate : High friction

Operation

Knee pad : Manual
Push-button : 35 N
Brake, foot operated : 85 N

Weight

Total : 13 kg (29 lbs)
Baseplate : 8 kg (18 lbs)
Ladder : 5 kg (11 lbs)

Materials

Aluminium, stainless steel, polyurethane foam, plastic

Measurements

A : 1182 mm (46 1/2")
B : 530 mm (20 3/4")
C : 630 mm (24 3/4")
D : 380 mm (14")
E : 209 mm (8 1/4")
F : 30 mm (1 1/4")
G : 63 mm (2 1/2")
H1 : 520 mm (20 1/2")
H2 : 347 mm (13 3/4")

Turning radius

Turning radius : Able to turn around own axis

Accessories/ Miscellaneous

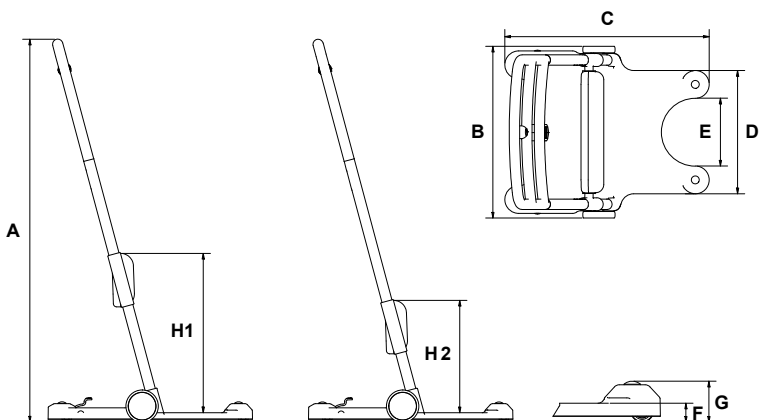
: Transfer Belt (not included)

Labelling

The product is manufactured in compliance with regulation (EU) 2017/745 of the European parliament and of the Council of 5 April 2017, as medical device Class I.

Classified

Acc. to ISO 9999 : 12 36 03



Time to care