



GTP1 Transfer platform Technical specifications

Functions

Safe working load (SWL)	: 175 kg
Entry height	: 30 mm
Handlebar	: High friction, multi grip
Baseplate	: High friction

Operation

Knee pad	: Manual
Push-button	: 35 N
Brake, foot operated	: 85 N

Weight

Total	: 13 kg
Baseplate	: 8 kg
Ladder	: 5 kg

Materials

Aluminium, stainless steel, polyurethane foam, plastic

Measurements

A	: 1182 mm
B	: 530 mm
C	: 630 mm
D	: 380 mm
E	: 209 mm
F	: 30 mm
G	: 63 mm
H1	: 520 mm
H2	: 347 mm

Turning radius

Turning radius : Able to turn around own axis

Accessories/ Miscellaneous

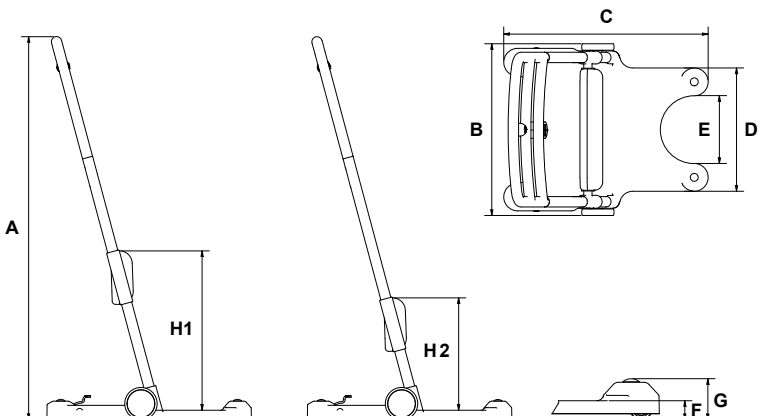
: Transfer Belt (not included)

Labelling

The product is manufactured in compliance with regulation (EU) 2017/745 of the European parliament and of the Council of 5 April 2017, as medical device Class I.

Classified

Acc. to ISO 9999 : 12 36 03



Time to care