



## Horizontal lifting support with weight adjustment, 375 kg

### Technical specifications

#### Functions

Lifting capacity, max. : 375 kg  
Suspension points : 8

#### Weight and Materials

Total weight : 11,6 kg  
Lifting hanger : Powder coated steel, RAL 9016

#### Measurements

A : 1054 mm  
B : 110 mm  
C : 1395 mm  
D : 510 mm  
E : 500 mm  
F : 525 mm  
G : 569 mm  
H : 710 mm  
I : 212 mm

#### Accessories/ Miscellaneous

Lifting sling : See brochure

#### Labelling

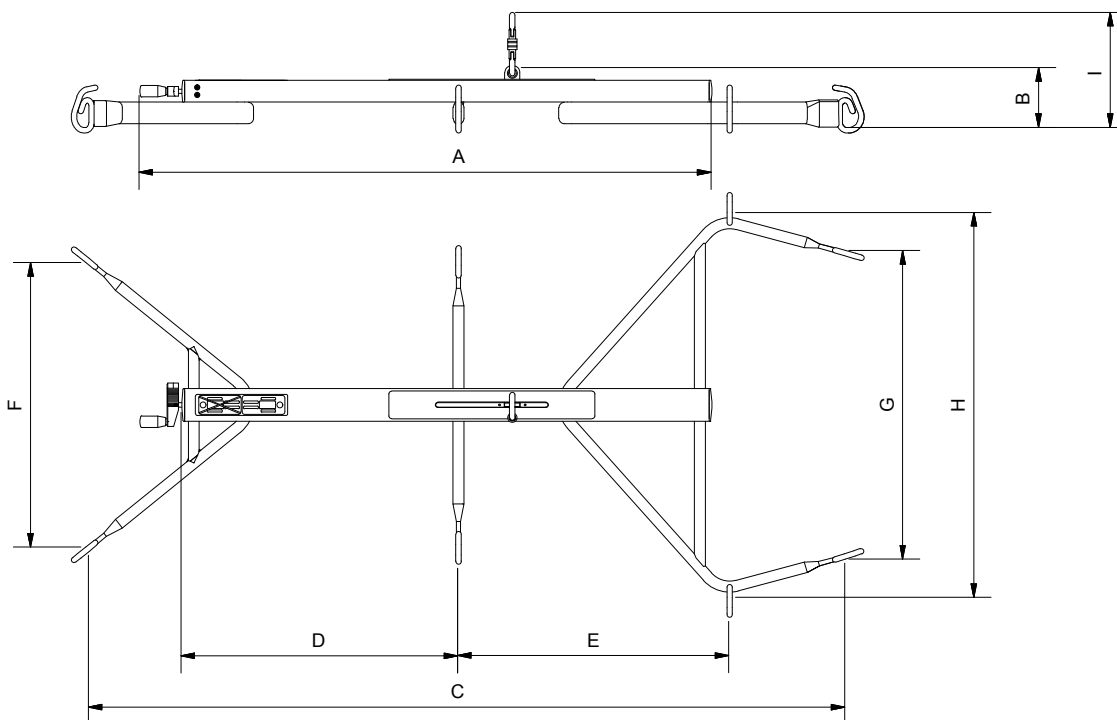
The product is manufactured in compliance with regulation (EU) 2017/745 of the European parliament and of the Council of 5 April 2017, as medical device Class I.

#### Item Number/Model

28456 : Horizontal lifting support with weight adjustment

#### Classification

according to ISO 9999 : 12 36 03



Time to care