



V. Guldmann A/S
Tel. +45 8741 3100
Fax +45 8741 3131
info@guldmann.com
www.guldmann.com

GLS5 Active lifter Technical specifications

Functions

Lifting capacity, max : 155/205 kg

Operation

Lift : Electric
Width adjustment : Electric
Pushbuttons - max. : 3,3 N
Knee support : Manual
Lifting boom : Manual

Weight

Totally : 57 kg
Chassis without foot plate
& knee pad : 23 kg
Mast and lifting boom
incl. control box & battery : 22 kg

Measurements

A : 25 mm
B : 90 mm
C : 1770 mm
D : 1190 mm
E : 575 mm
F : 1210 mm
G : 460 mm
H min/max : 850/1740 mm
I min/max : 350/450 mm
J min/max : 560/1190 mm
K min/max : 670/1310 mm
L min/max : 230/320 mm

Turning radius

Turning radius : 1360 mm

Safety Features

Battery protection for
insufficient voltage : Yes, disconnects

Electrical parts

On/off : Automatically
Power supply for charging
Input : 100-240Vac, 47-63Hz, 0.6-0.4A
Output : 36V, 0.83A
Battery, replaceable NiMH : 24V /4.5 Ah
Charging time : Max. 5 hours
Consumption/power
of actuator : 24V, max 8A
Duty Cycle : Max 10%, max. 2 min on, 18 min off.

Class of tightness

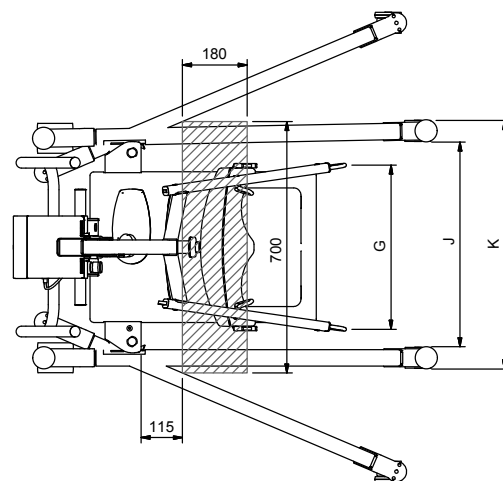
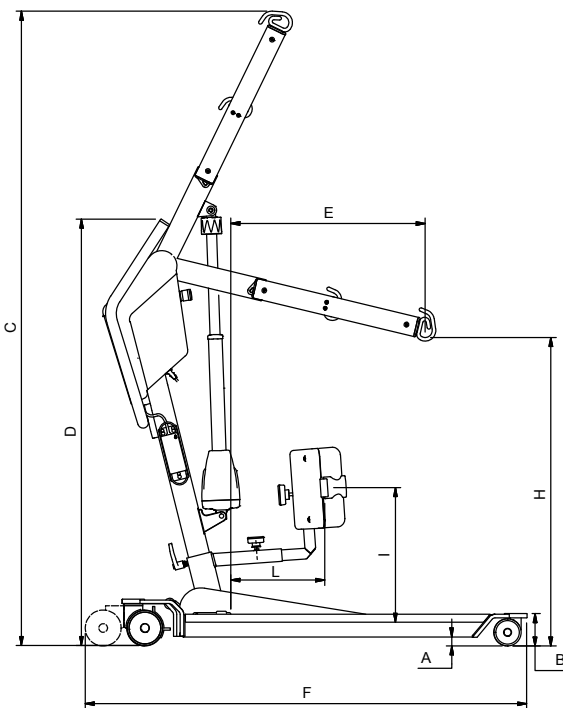
Active lifter : IP 30
Hand control : IP 44
Power supply : IP 20

Labelling

The product is manufactured in compliance with the Council
Directive 93/42/EEC of June 14th 1993, including amendments,
as medical device class 1.

Classified

Acc. to ISO 9999 : 12 36 03



Time to care