



Guldmann Swing Lift II Technical specifications

Functions

Max. load:
Swing Lift II : 205 kg (450 lbs)

Weight and Materials

Swing Lift II : 107 kg (235 lbs)
Swing structure : 42,5 kg (93 lbs)
Materials : ST37
Surface treatment : Hot dip galvanized
Colour : Grey

Measurements

A : 2500 mm
B : 615 mm
C : 2910 mm
D : 2300 mm
E : 500 mm

Accessories/Miscellaneous

Lifting modules : GH1 F

CE marking

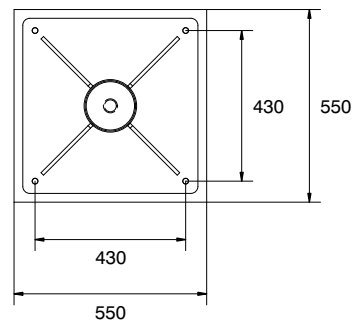
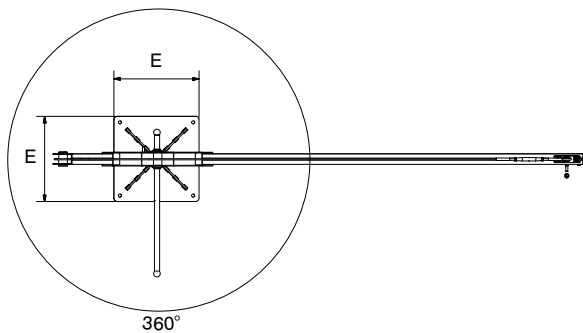
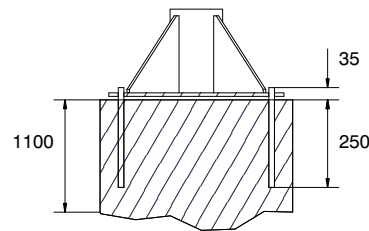
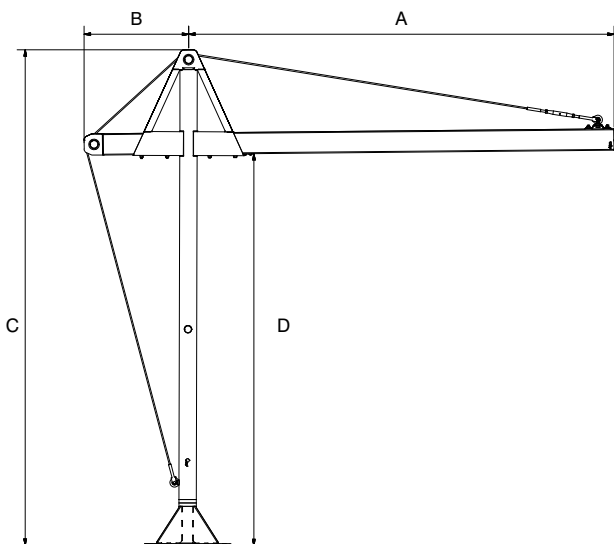
The product is manufactured in compliance with regulation (EU) 2017/745 of the European parliament and of the Council of 5 April 2017, as medical device Class I.

Item Number/Model

17200 : Swing Lift II max. 205 kg (450 lbs)

Fittings

Concrete strength : min. 15 MN/m² (15 Mpa)
Earth pressure : max. 1,5 kp/cm²
Bolts : 4 pcs M16, quality min. 8.8 galvanized,
l = 285 mm
Alternatively : 4 pcs M16, quality A4 / AISI 316
(for grouting or glueing)
Nuts : 4 pcs
Washers : 4 pcs



Time to care