



Turtable, electric Technical specifications

Function

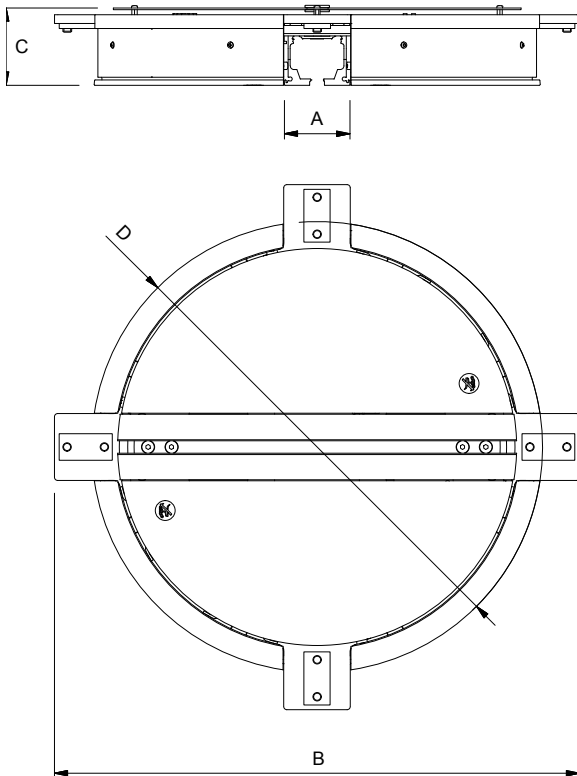
Usage	: In single track Guldmann rail system in corridors with no space for switch tracks
Connecting rail	: Rail A
Operation	: Hand control
Compatibility	: GH turntable must only be used in combination with Guldmann rail system.

Weight and materials

Turntable	: 17.5 kg
Turntable	: Powder varnished steel and anodized aluminium

Measurements

A	: 63 mm
B	: 496 mm
C	: 74.5 mm
D	: 426 mm



Safety

Electric	: Electronically secured
Mechanical	: Secured against derailing and jamming

Electrical parts

On/off	: Automatically on activation
Motor consumption	: 24V DC 8 W
Periodic load	: 10/90
Power supply	
Primary	: 230V AC
Secondary	: 24V AC 60 VA

Classification, tightness

Hand control	: IP 54
--------------	---------

Service inspection

Service check	: At the same time as the rail system
Service agreement	: To be agreed with Guldmann or local Guldmann distributor.

Accessories/Miscellaneous

Infrared remote control	
Receiver	: To be mounted inside w. plug
Sender	: Hand control with batteries
Range	: 5-10 metres
Diffusion	: approx. 25 degrees

Hand control	: With cable
Wall switch	: Wall integrated
Power supply	: Transformer

Cover turntable grey	: L x W x D (1250 x 52.5 x 0.8 mm)
Cover turntable white	: L x W x D (1250 x 52.5 x 0.8 mm)
Profile for ceiling	

Marking

The product is manufactured in compliance with regulation (EU) 2017/745 of the European parliament and of the Council of 5 April 2017, as medical device Class I.

Item Number/Model

550663	: Turntable, electric – max 255 kg
551430	: Turntable, electric, coated – max 255 kg
552882	: Turntable, electric – max 375 kg
552984	: Turntable, electric, coated – max 375 kg

Time to care