



## Free-standing single rail system, adjustable Technical specifications

### Functions

Max. capacity : 255 kg

### Weight and Materials

Free-standing single rail system, adjustable  
2,0 m - 2,5 m - 3,0 m:

Total weight : 49,5 kg - 52 kg - 54,5 kg

Top brackets and rail : 22,5 kg - 25 kg - 27,5 kg

Vertical poles w. feet : 13.5 kg each

Rail and poles : Anodized aluminium  
Feet : Powder varnished steel  
Brackets : Powder varnished steel

### Measurements

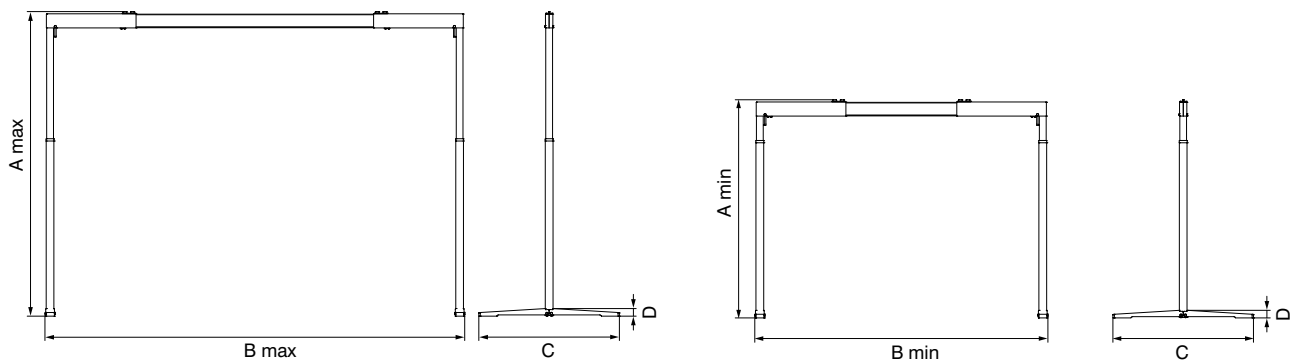
A min : 2020 mm  
B min : 2220 mm - 2720 mm - 3220 mm  
A max : 2820 mm  
B max : 3390 mm - 3890 mm - 4390 mm  
C : 1303 mm  
D : 71 mm

### Labelling

The product is manufactured in compliance with the Council Directive 93/42/EEC of June 14th 1993, including amendments, as medical device class 1.

### Item Number/Model

553000 : Free-standing single rail system, adjustable 2,5 m  
556000 : Free-standing single rail system, adjustable 2,0 m  
556297 : Free-standing single rail system, adjustable 3,0 m



Time to care