



Guldmann Inc.
 Tel. 800 664 8834
 Tel. 813 880 0619
 info@guldmann.net
 www.guldmann.net

GH3/GH3+ Lifting modules

Technical specifications

Weight and materials

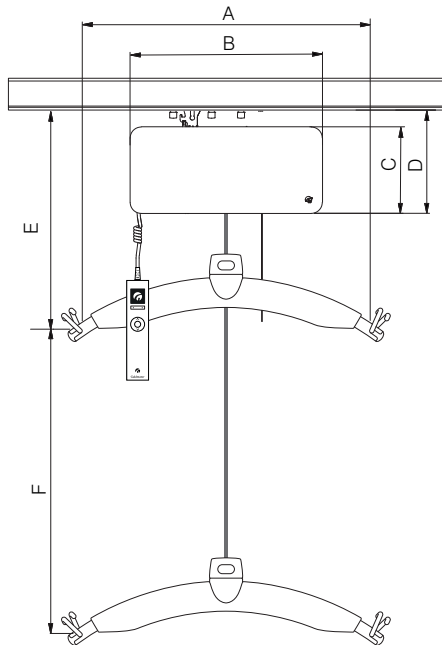
SWL	: 440 lbs, 550 lbs, 600 lbs
Own weight	: 21.1 lbs
with horizontal motor	: 23.1 lbs
with scale module	
and horizontal motor	: 24.5 lbs

SWL	: 660 lbs, 770 lbs, 825 lbs, 880 lbs
Own weight	: 31 lbs
with horizontal motor	: 35 lbs
with scale module	
and horizontal motor	: 38 lbs

Covers : Impact-resistant UL 94 V-0 flame retardant recyclable plastic

Dimensions

A	: 580 mm (22 3/4")
B	: 345 mm (13 1/2")
C	: 156 mm (6 1/8")
D	: 184 mm (7 1/4")
E, min.	: 425 mm (16 3/4")
F	: 2500 mm (98")
Depth of hoist	: 205 mm (8")



Functions

Operation	: Hand control / IR
Sound level	: 52 dB (A)
Horizontal speed	: 8.7 inch/sec. (Horizontal speed module)

Safety

Emergency stop	: Yes
Emergency lowering device	: Yes, mechanical and electrical
Control of lifting strap	: Yes
Cut-off angle	: 45° along the rail 10° across the rail

Electronics

On/off	: Automatic when used. Soft start/stop. Overload protection.
--------	---

SWL	: 440 lbs, 550 lbs, 600 lbs
Battery	: 1 x 24 V NiMH, 2.1 Ah
Max charge time	: 2 hours

SWL	: 660 lbs, 770 lbs, 825 lbs, 880 lbs
Battery	: 2 x 24 V NiMH, 2.1 Ah
Max charge time	: 4 hours

Battery protection : At battery voltage below 22 V the indicator light turns orange. The hoist is stopped if the voltage falls below 20 V

Power supply : 33 V AC, 2.5 A
 Supply voltage, transformer : 100-240V AC

Protection classification (IP) according to IEC 60529

Lifting module	: IP 20
Hand control	: IP 44
Remote control	: IP 20
Transformer	: IP 20

Labelling

The product is manufactured in compliance with regulation (EU) 2017/745 of the European parliament and of the Council of 5 April 2017, as medical device Class I.

Classification

Pursuant to ISO 9999

Patents

: PA 2008 00888
 PA 2008 00894
 PA 2008 00895

Time to care

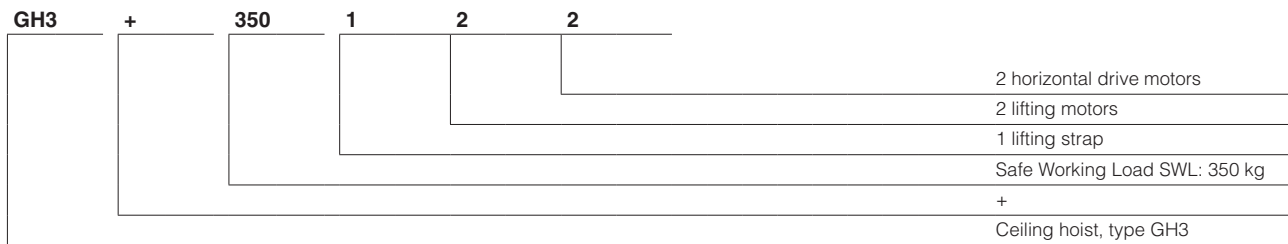


GH3/GH3+ Lifting modules Technical specifications

GH Lifting modules, configurations						Options												
Guldmann hoist type	Product line	Load in kg	Number of lifting straps	Number of lifting motors	Number of horizontal drive motors x)	IR remote xx)	Service module	CLM module	Scale module	WiFi module	Class III scale	Trainer module xx)	Coating	Excl. Turbospeed	UL	Charg. HC xx)		
GH3	(x)	xxx	x	x	x	Configuration code (xxxxx)												
GH3		200	1	1	0 - 1 - 2	•										•		
		250	1	1	0 - 1 - 2	•										•		
	+	200	1	1	0 - 1 - 2	•	•	•	•	•	•	•	•	•	•	•	•	•
		250	1	1	0 - 1 - 2	•	•	•	•	•	•	•	•	•	•	•	•	•
		275	1	1	0 - 1 - 2	•	•	•	•	•	•	•	•	•	•	•	•	•
		300	1	2	0 - 2	•	•	•	•	•	•	•	•	•	•	•	•	•
		350	1	2	0 - 2	•	•	•	•	•	•	•	•	•	•	•	•	•
		375	1	2	0 - 2	•	•	•	•	•	•	•	•	•	•	•	•	•
400	1	2	0	•	•	•	•	•	•	•	•	•	•	•	•	•		

x) Drive motors are not compatible with UL
 xx) Not compatible with UL

Example: GH3+ 350 122 (xxxxx)



Lifting speed	GH3	GH3+
185 lbs load	1.6 inch/sec.	2.4 inch/sec.
330 lbs load	1.6 inch/sec.	2.4 inch/sec.
Max capacity load, SWL	1.6 inch/sec.	2.2 inch/sec.
Max 11 lbs load	1.6 / 3.9 inch/sec.	2.4 / 3.9 inch/sec.

Number of lift and Intermittent

Max. number of lift in series	: 55 with 185 lbs/40"
Charging time	: 2 Hours
Intermittent	: 4 min. ON/16 min. OFF
SWL	: 440 lbs, 550 lbs, 600 lbs
Max. number of lifts in series	: 21/40"
Charging time	: 2 Hours
Intermittent	: 2 min. ON/18 min. OFF

SWL	: 660 lbs, 770 lbs, 825 lbs, 880 lbs
Max. number of lifts in series	: 40/40"
Charging time	: 4 Hours
Intermittent	: 2 min. ON/18 min. OFF