



**Guldmann Inc.**  
 Tel. 800 664 8834  
 Tel. 813 880 0619  
 info@guldmann.net  
 www.guldmann.net

## **GH3 Twin Lifting module** **Technical specifications**

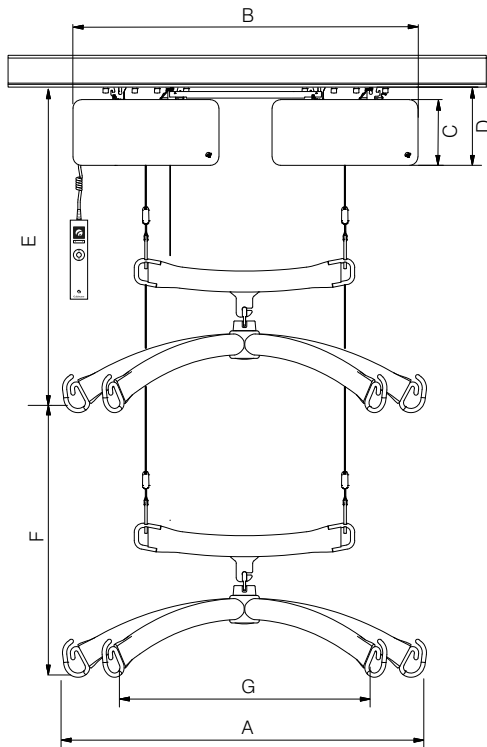
### **Weight and materials**

SWL	: 550 lbs, 825 lbs, 1100 lbs
Own weight	: 42.2 lbs

Covers : Impact-resistant UL 94 V-0 flame retardant recyclable plastic

### **Dimensions**

A	: 860 mm (33 3/4")
B	: 817 mm (32")
C	: 156 mm (6 1/8")
D	: 184 mm (7 1/4")
E, min	: 655 mm (25 3/4")
F, max	: 3155 mm (123 3/4")
G	: 473 mm (18 1/2")
Depth of hoist	: 205 mm (8")



### **Functions**

Operation	: Hand control / IR
Sound level	: 52 dB (A)

### **Safety**

Emergency stop	: Yes
Emergency lowering device	: Yes, mechanical and electrical
Control of lifting strap	: Yes
Cut-off angle	: 45° along the rail 10° across the rail

### **Electronics**

On/off	: Automatic when used. Soft start/stop. Overload protection.
Batteri	: 24 V NiMH, 2 x 2.1 Ah
Opladningstid, max.	: 4 timer

Battery protection : At battery voltage below 22 V the indicator light turns orange. The hoist is stopped if the voltage falls below 20 V

Power supply	: 33 V AC, 2.5 A
Supply voltage, transformer	: 115/230V AC

### **Protection classification (IP) according to IEC 60529**

Lifting module	: IP 20
Hand control	: IP 44
Remote control	: IP 20
Transformer	: IP 20

### **Labelling**

The product is manufactured in compliance with regulation (EU) 2017/745 of the European parliament and of the Council of 5 April 2017, as medical device Class I.

### **Classification**

Pursuant to ISO 9999

### **Patents**

:	PA 2008 00888
:	PA 2008 00894
:	PA 2008 00895

**Time to care**



**Guldmann Inc.**  
 Tel. 800 664 8834  
 Tel. 813 880 0619  
 info@guldmann.net  
 www.guldmann.net

## GH3 Twin Lifting module Technical specifications

GH Lifting modules, configurations						Options										
Guldmann hoist type	Product line	Load in kg	Number of lifting straps	Number of lifting motors	Number of horizontal drive motors	IR remote	Service module	CLM module	Scale module	WiFi module	Class III scale	Trainer module	Coating	Excl. Turbospeed	UL	Charg. HC
GH3	(x)	xxx	x	x	x	Configuration code (xxxxx)										
GH3	Twin	250	2	2	0	•	•	•	•	•	•		•	•	•	
		375	2	2	0	•	•	•	•	•	•		•	•	•	
		500	2	2	0	•	•	•	•	•	•		•	•	•	

**Example: GH3 Twin 250 220 (xxxxx)**

GH3	Twin	250	2	2	0	
						w/o horizontal drive motors
						2 lifting motors
						2 lifting strap
						Safe Working Load SWL: 250 kg
						Twin
						Ceiling hoist, type GH3

GH3 Twin	
Lifting speed	
185 lbs load	60 mm/sec.
330 lbs load	60 mm/sec.
Max capacity load, SWL	55 mm/sec.
Max 11 lbs load	60/100 mm/sec.

### Number of lift and Intermittent

Max. number of lift in series : 55 with 185 lbs/40"  
 Charging time : 4 hours  
 Intermittent : 2 min. ON/18 min. OFF

Max. number of lift in series : 21 with 550 lbs/40"  
 Charging time : 4 hours  
 Intermittent : 2 min. ON/18 min. OFF

Max. number of lift in series : 21 with 825 lbs/40"  
 Charging time : 4 hours  
 Intermittent : 2 min. ON/18 min. OFF

Max. number of lift in series : 21 with 1100 lbs/40"  
 Charging time : 4 hours  
 Intermittent : 2 min. ON/18 min. OFF