



**Guldmann Inc.**  
Tel. 800 664 8834  
Tel. 813 880 0619  
info@guldmann.net  
www.guldmann.net

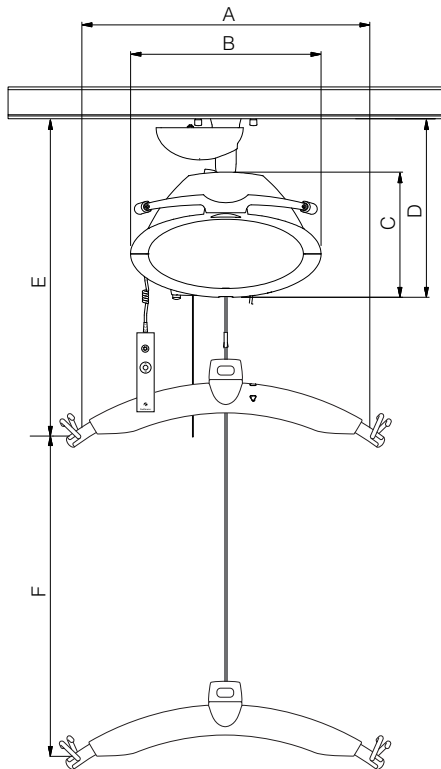
## GH1 F Lifting module Technical specifications

### Weight and materials

SWL	: 175 kg (385 lbs), 205 kg (450 lbs), 255 kg (560 lbs)
Lifting module	: 11.0 kg
Lifting module incl. Trolley	: 12.2 kg
Covers, top and bottom	: Impact-resistant UL 94 V-0 flame retardant recyclable plastic

### Dimensions

A	: 580 mm (22 3/4")
B	: 350 mm (13 3/4")
C	: 230 mm (9")
D	: 330 mm (13")
E, min	: 580 mm (22 3/4")
F	: 2500 mm (98")
Depth of hoist	: 194 mm (7 1/2")



### Functions

Operation	: Hand control
Sound level	: 52 dB (A)

### Safety

Emergency stop	: Yes
Emergency lowering device	: Yes, electrical
Control of lifting strap	: Yes
Cut-off angle	: 45° along the rail 10° across the rail

### Electronics

On/off	: Automatic when used. Soft start/stop. Overload protection.
Battery	: 1 x 24 V NiMH, 2.1 Ah
Max charge time	: 3 hours
Battery protection	: At battery voltage below 22 V the indicator light turns yellow. The hoist stops if the voltage drops below 20 V
Power supply Supply voltage, power supply	: 100-240V AC, 47-63 Hz

### Protection classification (IP) according to IEC 60529

Lifting module	: IP 20
Hand control	: IP 42
Charging station	: IP 20
Power supply	: IP 20

### Labelling

The product is manufactured in compliance with regulation (EU) 2017/745 of the European parliament and of the Council of 5 April 2017, as medical device Class I.

### Classification

Pursuant to ISO 9999

### Patents

: PA 2008 00888
: PA 2008 00894
: PA 2008 00895

Time to care



**Guldmann Inc.**  
 Tel. 800 664 8834  
 Tel. 813 880 0619  
 info@guldmann.net  
 www.guldmann.net

## GH1 F Lifting module Technical specifications

GH1 F Lifting modules, configurations						Options										
Guldmann hoist type	Product line	Load in kg	Number of lifting straps	Number of lifting motors	Number of horizontal drive motors	IR remote	Service module	CLM module	Scale module	WiFi module	Class III scale	Trainer module	Coating	Excl. Turbospeed	UL	Charg. HC
GH1	(x)	xxx	x	x	x	Configuration code (xxxxx)										
GH1	F	175	1	1	0											
		205	1	1	0											
		255	1	1	0											

### Example: GH1 F 205 110 (xxxxx)

GH1	F	205	1	1	0	
						N/A
						1 lifting motor
						1 lifting strap
						Safe Working Load SWL: 205 kg
						F
						Ceiling hoist, type GH1

#### Lifting speed

85 kg load : 40 mm/sec.  
 150 kg load : 40 mm/sec.  
 Max capacity load, SWL : 40 mm/sec.  
 Max. 5 kg kg load : 40/80 mm/sec.

#### Number of lift and Intermittent

Max. number of lifts  
 in series : 55 with 85 kg/1000 mm  
 Charging time : 3 hours  
 Intermittent : 4 min. ON/16 min. OFF

Max. number of lifts  
 in series : 39 with 175 kg/1000 mm  
 32 with 205 kg/1000 mm  
 21 with 255 kg/1000 mm

Charging time : 3 hours  
 Intermittent : 2 min. ON/18 min. OFF



**Guldmann Inc.**  
Tel. 800 664 8834  
Tel. 813 880 0619  
info@guldmann.net  
www.guldmann.net

## Trolley and transport trolley for GH1 F Technical specifications

### Trolley for GH1 F

#### Functions

Max. load : 255 kg (560 lbs)

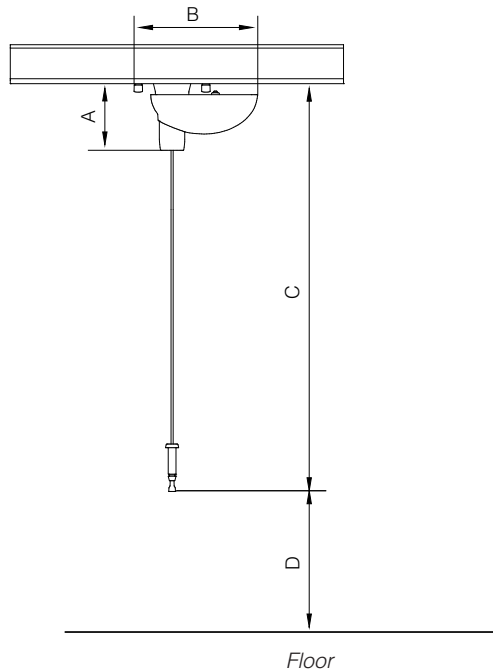
#### Weight

Travelling trolley : 1.2 kg (2.6 lbs)

#### Measurements

A : 98 mm (4")  
B : 166 mm (6 1/2")  
C\*, max. : 2800 mm (110")  
D, min. : 650 mm (25 1/2")  
D, max. : 750 mm (29 1/2")  
Depth of travelling trolley : 84 mm (3 1/4")

\* Cord length C adapted to height of rail during installation



### Transport trolley for GH1 F

#### Functions

Capacity, bag : 2-3 slings

2-3 lifting hangers

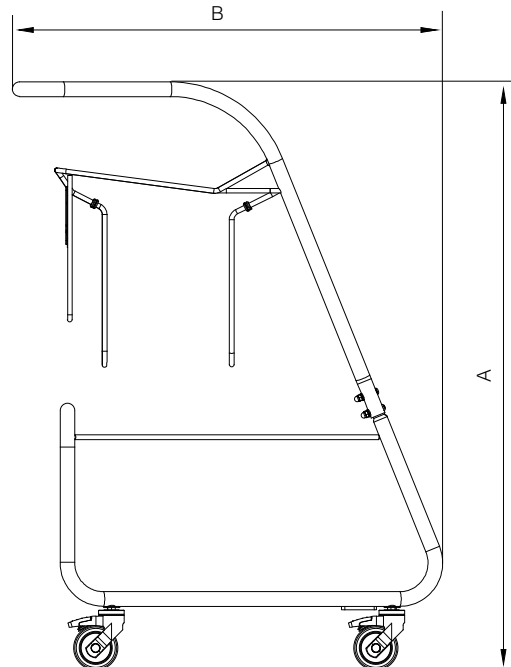
Capacity, max. : 25 kg (55 lbs)

#### Weight

Trolley including bag : 10.0 kg (22 lbs)

#### Measurements

A : 1005 mm (39 1/2")  
B : 735 mm (29")  
Depth of transport trolley : 409 mm (16")



Time to care

Guldmann™