



Guldmann Inc.
 Tel. 800 664 8834
 Tel. 813 880 0619
 info@guldmann.net
 www.guldmann.net

GH1 Lifting module Technical specifications

Weight and materials

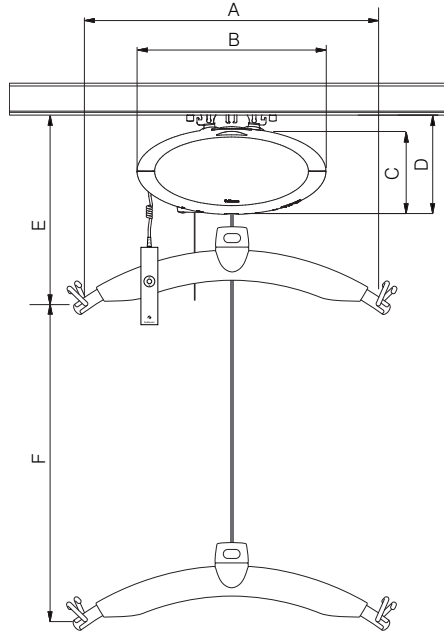
SWL : 175 kg (385 lbs), 205 kg (450 lbs),
 255 kg (560 lbs)

Own weight : 8.0 kg (17.6 lbs)

Covers : Impact-resistant UL 94 V-0 flame
 retardant recyclable plastic

Dimensions

A : 580 mm (22 3/4")
 B : 353 mm (13 3/4")
 C : 161 mm (6 1/3")
 D : 185 mm (7 1/4")
 E, min. : 416 mm (16 1/3")
 F : 2500 mm (98")
 Depth of hoist : 200 mm (7 3/4")



Functions

Operation : Hand control
 Sound level : 52 dB (A)

Safety

Emergency stop : Yes
 Emergency lowering
 device : Yes, electrical
 Control of lifting strap : Yes
 Cut-off angle : 45° along the rail
 10° across the rail

Electronics

On/off : Automatic when used. Soft start/stop.
 Overload protection.
 Battery : 1 x 24 V NiMH, 2.1 Ah
 Max charging time : 3 hours

Battery protection : At battery voltage below 22 V the
 indicator light turns yellow. The hoist
 stops if the voltage drops below 20 V

Power supply : 36 V DC, 30W
 Supply voltage,
 power supply : 100-240V AC, 47-63 Hz

Protection classification (IP) according to IEC 60529

Lifting module : IP 44
 Hand control : IP 44
 Charging station : IP 20
 Power supply : IP 20

Labelling

The product is manufactured in compliance with regulation (EU)
 2017/745 of the European parliament and of the Council of 5 April
 2017, as medical device Class I.

Classification

Pursuant to ISO 9999

Patents

: PA 2008 00888
 PA 2008 00894
 PA 2008 00895

Time to care



GH1 Lifting module Technical specifications

GH1 Lifting modules, configurations						Options											
Guldmann hoist type	Product line	Load in kg	Number of lifting straps	Number of lifting motors	Number of horizontal drive motors	IR remote	Service module	CLM module	Scale module	WiFi module	Class III scale	Trainer module	Coating	Excl. Turbospeed	UL	Charg. HC	
GH1	(x)	xxx	x	x	x	Configuration code (xxxxx)											
GH1		175	1	1	0												
		205	1	1	0												
		255	1	1	0												

Example: GH1 205 110 (xxxxx)

GH1	205	1	1	0	
					N/A
					1 lifting motor
					1 lifting strap
					Safe Working Load SWL: 205 kg
					-
					Ceiling hoist, type GH1

Lifting speed

85 kg load	:	40 mm/sec.
150 kg load	:	40 mm/sec.
Max capacity load, SWL	:	40 mm/sec.
Max. 5 kg load	:	40/80 mm/sec.

Number of lift and Intermittent

Max. number of lifts	
in series	: 55 with 85 kg/1000 mm
Charging time	: 3 hours
Intermittent	: 4 min. ON/16 min. OFF

Max. number of lifts	
in series	: 39 with 175 kg/1000 mm
	: 32 with 205 kg/1000 mm
	: 21 with 255 kg/1000 mm

Charging time	: 3 hours
Intermittent	: 2 min. ON/18 min. OFF