



Guldmann Inc.
 Tel. 800 664 8834
 Tel. 813 880 0619
 Fax 813 880 9558
 info@guldmann.net
 www.guldmann.net

Horizontal lifter, foldable, 560 lbs
Technical specifications

Functions

Lifting capacity, max. : 560 lbs
 Adjustable suspension points : 12

Weight and Materials

Total weight : 57 lbs
 Horizontal lifter : Aluminium, anodized

Measurements

A : 71"
 B : 19"
 C : 38"
 D : 30"
 E : 10"
 F : 48"
 G : 43"
 H : 9"
 I : 21"
 J : 4"
 K : 5"
 L : 19"

Accessories included

Lifting sheet incl. 2 plastic stiffeners
 Wall bracket

Accessories/Miscellaneous

Transport trolley
 Strap retainer

Marking

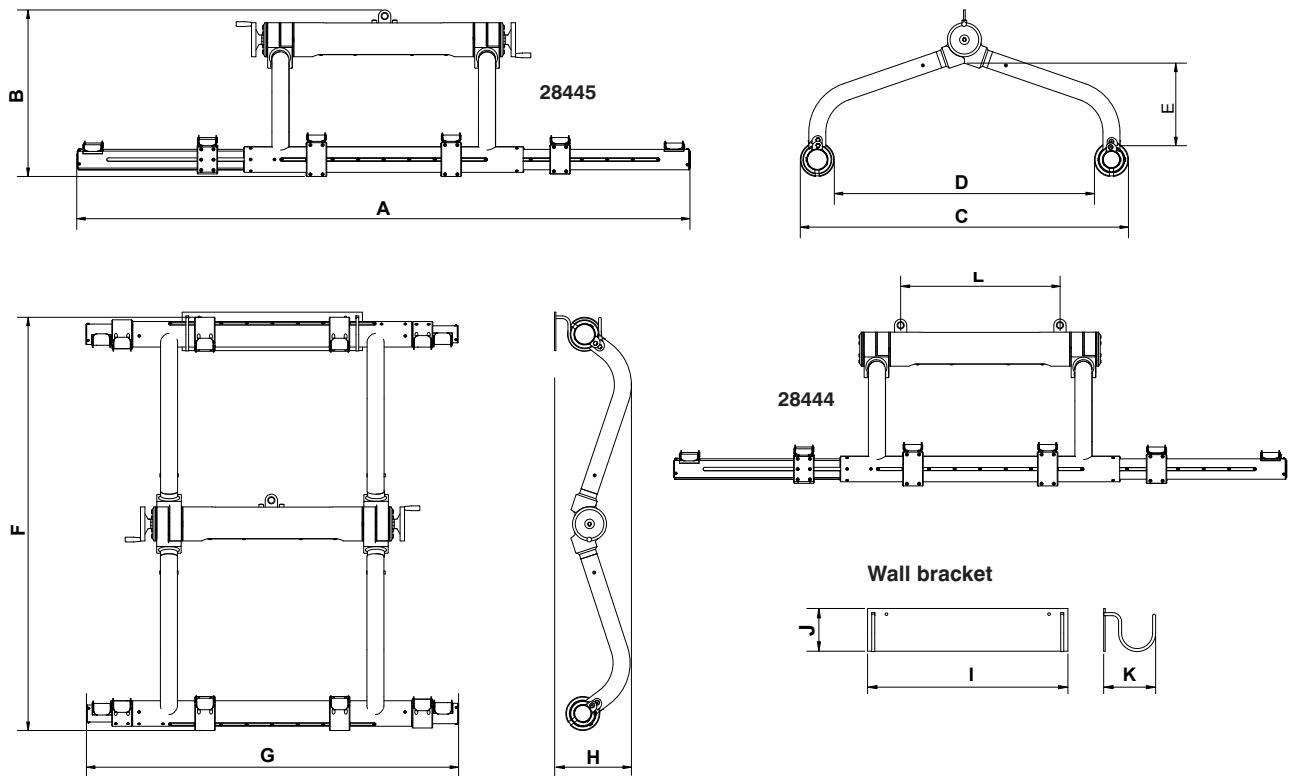
The product is manufactured in compliance with regulation (EU) 2017/745 of the European parliament and of the Council of 5 April 2017, as medical device Class I.

Item Number/Model

28444 : Horizontal lifter, foldable for GH2 HD Twin
 28445 : Horizontal lifter, foldable

Classification

according to ISO 9999 : 12 36 03



Time to care