



Horizontal lifter, foldable, 255 kg Technical specifications

Functions

Lifting capacity, max. : 255 kg
Adjustable suspension points : 12

Weight and Materials

Total weight : 26 kg
Horizontal lifter : Aluminium, anodized

Measurements

A : 1800 mm
B : 490 mm
C : 970 mm
D : 770 mm
E : 245 mm
F : 1215 mm
G : 1100 mm
H : 230 mm
I : 530 mm
J : 113 mm
K : 137 mm
L : 473 mm

Accessories included

Lifting sheet incl. 2 plastic stiffeners
Wall bracket

Accessories/Miscellaneous

Transport trolley
Strap retainer

Marking

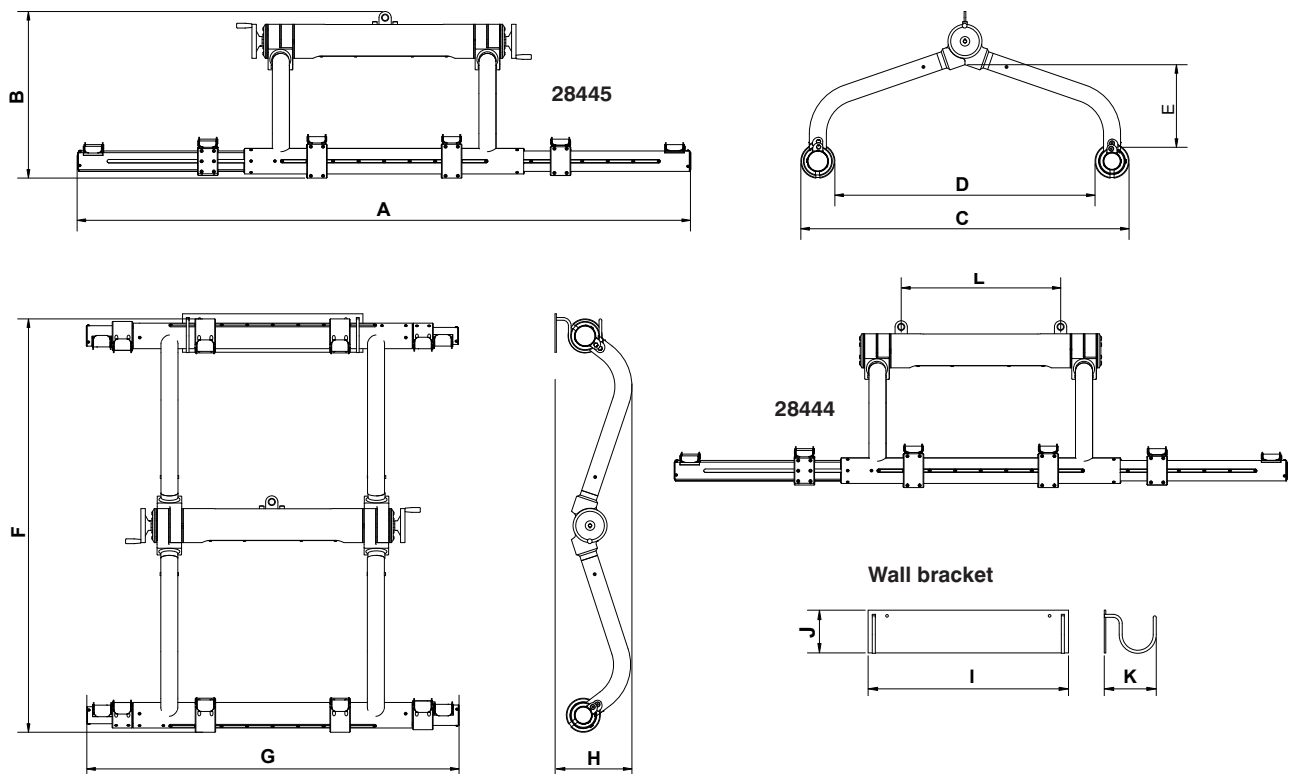
The product is manufactured in compliance with regulation (EU) 2017/745 of the European parliament and of the Council of 5 April 2017, as medical device Class I.

Item Number/Model

28444 : Horizontal lifter, foldable for GH2 HD Twin
28445 : Horizontal lifter, foldable

Classification

according to ISO 9999 : 12 36 03



Time to care