



**Guldmann Inc.**  
 Tel. 800 664 8834  
 Tel. 813 880 0619  
 Fax 813 880 9558  
 info@guldmann.net  
 www.guldmann.net

## Bath chair & bath stretcher Technical specifications

### Functions

Lifting capacity, max. : 560 lbs. (255 kg)

### Weight and materials

Complete chair : 55 lbs. (25,5 kg)

Frame : Rustproof steel  
 Bearings : Rustproof steel  
 Bolts : Rustproof steel  
 Seat : Moulded polyester  
 Footrest : Painted, moulded aluminium  
 Footplate : Moulded plastic  
 Wheels : Rubber with brake, rustproof steel  
 Safety belt : Nylon

### Measurements

A. : 35.5 inch (900 mm)  
 B. : 19.7 inch (500 mm)  
 C. : 19.7 inch (500 mm)  
 D. : 4.9 inch (125 mm)  
 E. : 21.1 inch (535 mm)  
 F. : 63.0 inch (1600 mm)

**Item Number/Model** : 14600: Bath chair

### Classification

according to ISO 9999 : 12 36 12

### Functions

Lifting capacity, max. : 560 lbs. (255 kg)

### Weight and materials

Complete stretcher : 119 lbs. (54,4 kg)  
 Bench : 55 lbs. (25,5 kg)  
 Base : 55 lbs. (25,5 kg)

Frame : Rustproof steel  
 Bearings : Rustproof steel  
 Bolts : Rustproof steel  
 Cover for stretcher : PVC cover in nylon  
 Wheels : Rubber with brake, rustproof steel  
 Safety belt : Nylon

### Measurements

A. : 70.9 inch (1800 mm)  
 B. : 25.6 inch (650 mm)  
 C. : 4.9 inch (125 mm)  
 D. : 35.0 inch (890 mm)  
 E. : 77.6 inch (1970 mm)  
 F. : 14.2 inch (360 mm)  
 G. : 55.7 inch (1415 mm)

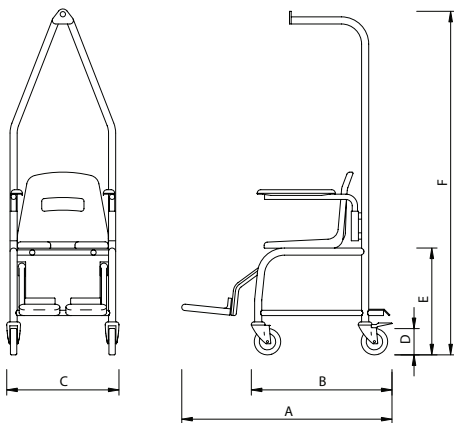
**Angularity** : 3°, 13°, 19° and 23°

**Item Number/Model** : 14610: Bath stretcher

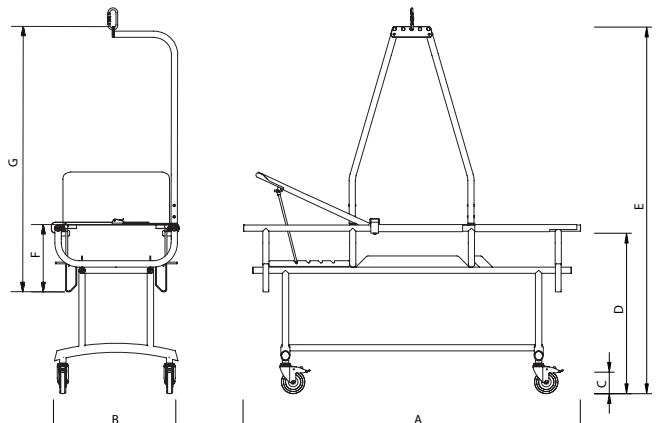
### Classification

according to ISO 9999 : 12 36 12

## BATH CHAIR



## BATH STRETCHER



Time to care